



Assemble-It-Yourself Crane Components

A money-saving concept for the customer with basic fabrication skills

All of our bridge and gantry cranes can be purchased in cost saving "component" form. The component package, includes all the same top quality Class "D" equipment as our complete cranes. The only differences between a complete crane and a crane purchased in component form is that with components, you purchase the structural steel cross girder(s) from a local supplier and perform some final assembly labor.

You Only Do 2% of Final Assembly

- Individual components are 100% assembled and painted
- All wiring is completed and factory tested

We Lower Your Cost

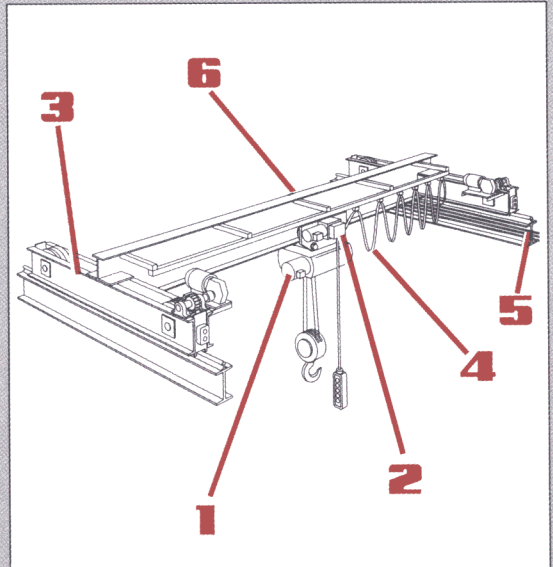
- We pass on the savings to you
- You save on lower shipping charges

We Get the Crane to You Faster

- 2-week delivery of standard components

Included With Every Order at No Charge

- Detailed Assembly Instructions that insure assembly of your crane components will be smooth and easy.
- Cross Girder Specifications so you can purchase the correct beam from a local steel supplier.
- Free, detailed Runway Designs and specifications to allow you or a local contractor to fabricate and install your runways.
- Comprehensive Installation Instructions in easy-to-follow steps.
- Toll Free 800 Help Line so you can discuss your assembly or installation questions with our engineers, fabricators and licensed electricians.



To build Top Running, Underhung, or Gantry Cranes

1. The Hoist, which lifts and lowers the load.
2. The Trolley, which holds the hoist and moves the hoist the width of the crane.
3. The End Trucks, which move the cross girder (and thus the hoist and trolley) the length of the runway.
4. Bridge Electrification, which brings control signals to the crane and delivers power to the hoist and trolley.
5. Runway Electrification, which brings power from your factory to the crane.

You Provide:

6. The Cross Girder, which is a single or double structural steel beam from which the hoist and trolley hang. (Purchased locally when a component kit is ordered.)